

**OVERALL ASSEMBLY  
45KVA TRANSFORMER  
D/D W/CT  
25" ENCL.**

TOLERANCES UNLESS OTHERWISE SPECIFIED

2-PL	± .02
3-PL	± .005
HOLES	± .030
ANGLES	± 1°
REMOVE ALL BURRS	
SCALE	NTS

**FINISH:**

DRAWN DATE

CHECKED DATE

DRAWN BY

CHK'D BY

**MO**

**EJ**

SHEET

**1 OF 2**

**WEIGHT:**

PART NO.

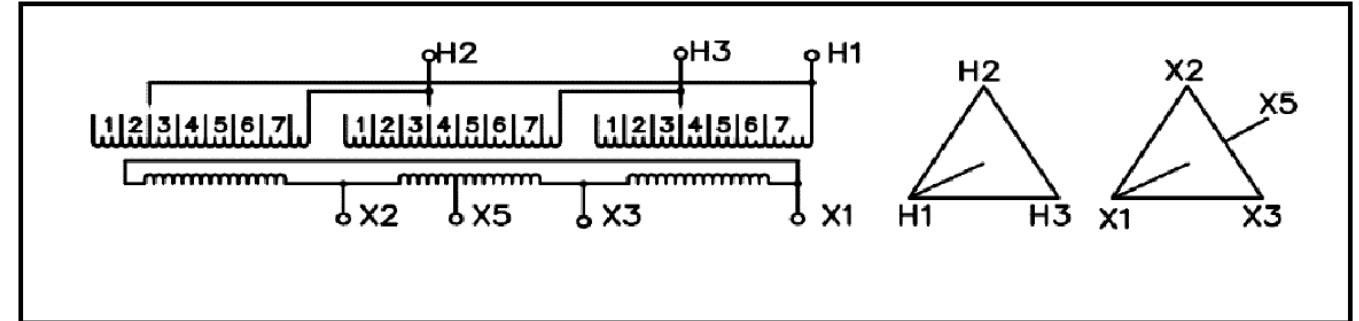
423-9217-000-CD

<b>A</b>	<b>09/01/2020</b>	<b>INITIAL RELEASE</b>
<b>REV</b>	<b>DATE</b>	<b>DESCRIPTION</b>

kVA 45  
Phase 3  
Hz 60  
%IZ 3  
Rise 150 °C  
Ins. Class 220 °C  
Weight 505 lbs  
Class AA  
Wdg. Mtl. Al

High Voltage: 480 Delta

Low Voltage: 240 Delta / 120 CT



High Voltage: Lines on H1, H2, H3

Connect	1	2	3	4	5	6	7
Volts	504	492	480	468	456	444	432

Low Voltage: Lines on X1-X2-X3

Line - Line 240 V	Lines X2-X5 & X3-X5	1ph 5% kVA MAX
----------------------	---------------------	----------------

**SEISMIC**  
QUALIFIED to IBC, CBC  
SDS=1.80g, z/h=1.0, Ip=1.5  
Floor mounted unit  
OSHDP OSP-0109-10

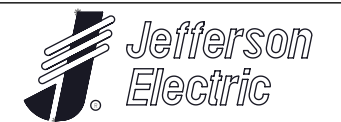
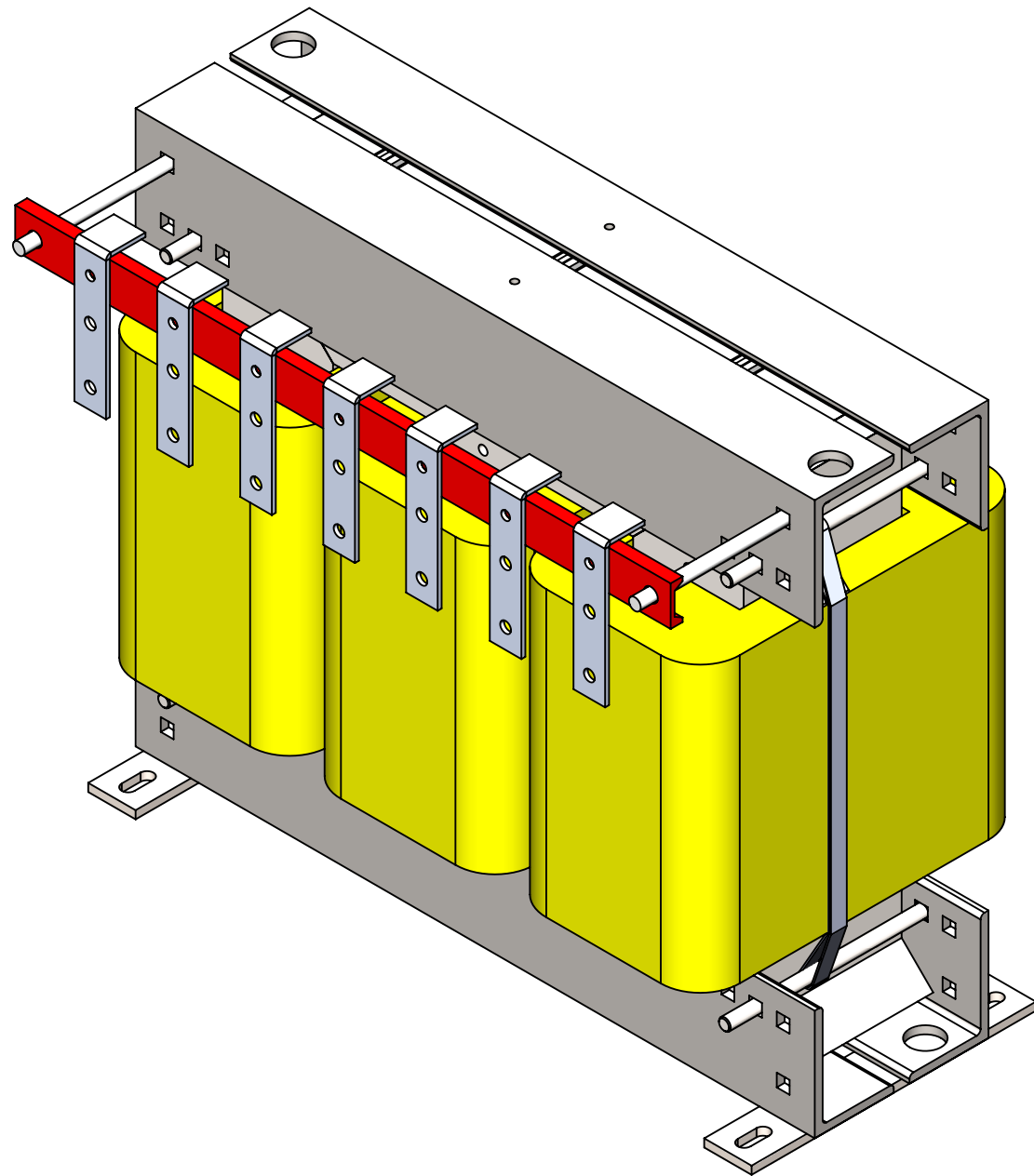
Meets DOE-2016  
Efficiency

423 Series

Outdoor Type 3R

Datecode: R1701 Job#: OJE1

SN: 0001



**OVERALL ASSEMBLY**  
**45KVA TRANSFORMER**  
**D/D W/CT**  
**25" ENCL.**

FINISH:	TOLERANCES UNLESS OTHERWISE SPECIFIED	
	2-PL	± .02
DRAWN DATE	3-PL	± .005
	HOLES	± .030
CHECKED DATE	ANGLES	± 1°
	REMOVE ALL BURRS	
WEIGHT:	SCALE	NTS
	DRAWN BY	MO
PART NO.	CHK'D BY	EJ
	SHEET	2 OF 2
423-9217-000-CD		

A	09/01/2020	INITIAL RELEASE
REV	DATE	DESCRIPTION